



Q/H.2

Q/H.2 -  
-50,

2-

1,5%

5%

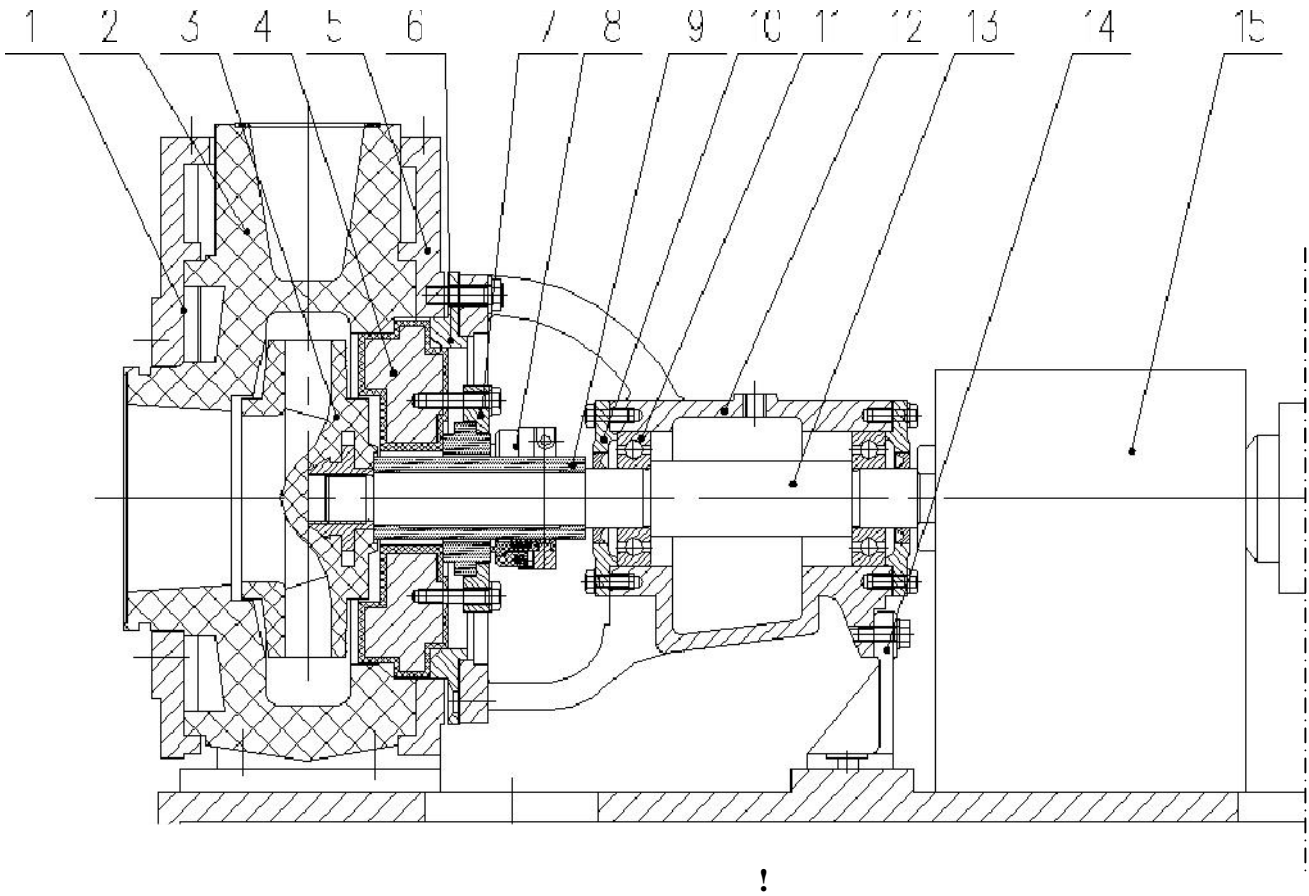
1830 / 3.

6,3-400 3/

-40 +150<sup>0</sup>

|             |             | 3/   |      | %  |     | , / 3  |      |        |      |        |      |
|-------------|-------------|------|------|----|-----|--------|------|--------|------|--------|------|
|             |             |      |      |    |     | 1000   |      | 1350   |      | 1830   |      |
|             |             |      |      |    |     |        | N    |        | N    |        | N    |
|             |             |      |      |    |     | 2900 / |      |        |      |        |      |
| 5/20.2      | 25-20-125   | 5    | 20   | 32 | 2   | 90S2   | 1,5  | 90L2   | 2,2  | 100L2  | 3    |
| 5/30.2      | 25-20-160   | 5    | 30   | 30 | 2   | 90L2   | 2,2  | 100L2  | 3    | 112M2  | 4    |
| 12,5/20.2   | 50-32-125   | 12,5 | 20   | 52 | 2   | 90L2   | 2,2  | 100L2  | 3    | 112M2  | 4    |
| 12,5/32.2   | 50-32-160   | 12,5 | 32   | 48 | 2   | 112M2  | 4    | 132SA2 | 5,5  | 132SB2 | 7,5  |
| 12,5/50.2   | 50-32-200   | 12,5 | 50   | 44 | 2   | 132SA2 | 5,5  | 132SB2 | 7,5  | 160MA2 | 11   |
| 25/20.2     | 65-50-125   | 25   | 20   | 59 | 2   | 112M2  | 4    | 132SA2 | 5,5  | 132SB2 | 7,5  |
| 25/32.2     | 65-50-160   | 25   | 32   | 60 | 2   | 132SA2 | 5,5  | 132SB2 | 7,5  | 160MA2 | 11   |
| 25/50.2     | 65-40-200   | 25   | 50   | 45 | 2,4 | 160MA2 | 11   | 160MB2 | 15   | 160L2  | 18,5 |
| 50/20.2     | 80-65-125   | 50   | 20   | 60 | 2,4 | 132SB2 | 7,5  | 160MA2 | 11   | 160MB2 | 15   |
| 50/32.2     | 80-65-160   | 50   | 32   | 65 | 2,4 | 160MA2 | 11   | 160MB2 | 15   | 160L2  | 18,5 |
| 50/50.2     | 80-50-200   | 50   | 50   | 63 | 2,4 | 160L2  | 18,5 | 180M2  | 22   | 200LA2 | 30   |
| 100/32.2    | 100-80-160  | 100  | 32   | 68 | 2,4 | 160L2  | 18,5 | 200LA2 | 30   | 200LB2 | 37   |
| 100/50.2    | 100-65-200  | 100  | 50   | 66 | 2,4 | 200LA2 | 30   | 200LB2 | 37   | 250M2  | 55   |
| 100/80.2    | 100-65-250  | 100  | 80   | 56 | 3,2 | 250M2  | 55   | 280S2  | 75   | 315S2  | 110  |
| 150/50.2    | 125-100-200 | 150  | 50   | 55 | 3,2 | 250M2  | 55   | 280S2  | 75   | 280M2  | 90   |
| 150/80.2    | 125-100-250 | 150  | 80   | 45 | 3,2 | 315S2  | 110  | 315M2  | 132  | 355SA2 | 185  |
| 250/20.2    | 150-125-125 | 250  | 20   | 60 | 3,2 | 200LA2 | 30   | 225M2  | 45   | 250M2  | 55   |
| 250/32.2    | 150-125-160 | 250  | 32   | 61 | 4,5 | 250M2  | 55   | 280S2  | 75   | 280M2  | 90   |
| 250/50.2    | 150-125-200 | 250  | 50   | 48 | 4,5 | 315S2  | 110  | 315M2  | 132  | 355SA2 | 185  |
| 250/80.2    | 150-125-250 | 250  | 80   | 47 | 4,8 | 315LA4 | 160  | 315LB2 | 200  | 355L2  | 315  |
| 400/20.2    | 200-150-125 | 400  | 20   | 50 | 4,8 | 250M2  | 55   | 280S2  | 75   | 315S2  | 110  |
| 400/32.2    | 200-150-160 | 400  | 32   | 53 | 5,0 | 280M2  | 90   | 315M2  | 132  | 315LA4 | 160  |
| 400/50.2    | 200-150-200 | 400  | 50   | 57 | 5,2 | 315M2  | 132  | 355SA2 | 185  | 355M2  | 250  |
| 400/80.2    | 200-150-250 | 400  | 80   | 45 | 5,6 | 355M2  | 250  | 355L2  | 315  |        |      |
| 1450 /      |             |      |      |    |     |        |      |        |      |        |      |
| 6,3/5.2     | 50-32-125   | 6,3  | 5    | 52 | 2   | 90S4   | 1,1  | 90S4   | 1,1  | 90S4   | 1,1  |
| 6,3/8.2     | 50-32-160   | 6,3  | 8    | 48 | 2   | 90S4   | 1,1  | 90S4   | 1,1  | 90S4   | 1,1  |
| 6,3/12,5.2  | 50-32-200   | 6,3  | 12,5 | 44 | 2   | 90S4   | 1,1  | 90S4   | 1,1  | 90L4   | 1,5  |
| 12,5/5.2    | 65-50-125   | 12,5 | 5    | 59 | 2   | 90S4   | 1,1  | 90S4   | 1,1  | 90S4   | 1,1  |
| 12,5/8.2    | 65-50-160   | 12,5 | 8    | 60 | 2   | 90S4   | 1,1  | 90S4   | 1,1  | 90L4   | 1,5  |
| 12,5/12,5.2 | 65-40-200   | 12,5 | 12,5 | 46 | 2   | 90L4   | 1,5  | 100LA4 | 2,2  | 100LB4 | 3    |
| 25/5.2      | 80-65-125   | 25   | 5    | 60 | 2   | 90S4   | 1,1  | 90L4   | 1,5  | 100LA4 | 2,2  |
| 25/8.2      | 80-65-160   | 25   | 8    | 65 | 2   | 90L4   | 1,5  | 100LA4 | 2,2  | 100LB4 | 3    |
| 25/12,5.2   | 80-50-200   | 25   | 12,5 | 63 | 2,5 | 100LA4 | 2,2  | 100LB4 | 3    | 112M4  | 4    |
| 50/8.2      | 100-80-160  | 50   | 8    | 68 | 2,5 | 100LB4 | 3    | 112M4  | 4    | 132S4  | 5,5  |
| 50/12,5.2   | 100-65-200  | 50   | 12,5 | 66 | 2,3 | 112M4  | 4    | 132S4  | 5,5  | 132M4  | 7,5  |
| 50/20.2     | 100-65-250  | 50   | 20   | 56 | 2,3 | 132M4  | 7,5  | 160M4  | 11   | 160L4  | 15   |
| 75/12,5.2   | 125-100-200 | 75   | 12,5 | 55 | 2,3 | 132M4  | 7,5  | 160M4  | 11   | 160L4  | 15   |
| 75/20.2     | 125-100-250 | 75   | 20   | 45 | 2,3 | 160L4  | 15   | 180M4  | 18,5 | 180L4  | 22   |
| 125/8.2     | 150-125-160 | 125  | 8    | 61 | 2,5 | 132M4  | 7,5  | 160M4  | 11   | 160L4  | 15   |
| 125/12,5.2  | 150-125-200 | 125  | 12,5 | 51 | 2,5 | 160L4  | 15   | 180M4  | 18,5 | 180L4  | 22   |
| 200/20.2    | 150-125-250 | 200  | 20   | 48 | 2,7 | 180L4  | 22   | 200L4  | 30   | 225S4  | 37   |
| 200/32.2    | 150-125-315 | 200  | 32   | 64 | 2,7 | 225S4  | 37   | 250M4  | 55   | 280S4  | 75   |
| 200/50.2    | 150-125-400 | 200  | 50   | 56 | 2,8 | 250M4  | 55   | 280S4  | 75   | 315S4  | 110  |
| 200/8.2     | 200-150-160 | 200  | 8    | 53 | 2,8 | 160M4  | 11   | 160L4  | 15   | 180L4  | 22   |
| 200/12,5.2  | 200-150-200 | 200  | 12,5 | 57 | 2,8 | 180M4  | 18,5 | 180L4  | 22   | 200L4  | 30   |
| 200/20.2    | 200-150-250 | 200  | 20   | 45 | 3,2 | 200L4  | 30   | 225M4  | 45   | 250M4  | 55   |
| 400/32.2    | 200-150-315 | 400  | 32   | 68 | 3,5 | 280S4  | 75   | 280M4  | 90   | 315LA4 | 132  |
| 400/50.2    | 200-150-400 | 400  | 50   | 63 | 3,8 | 315S4  | 110  | 315LA4 | 160  | 315LB4 | 200  |

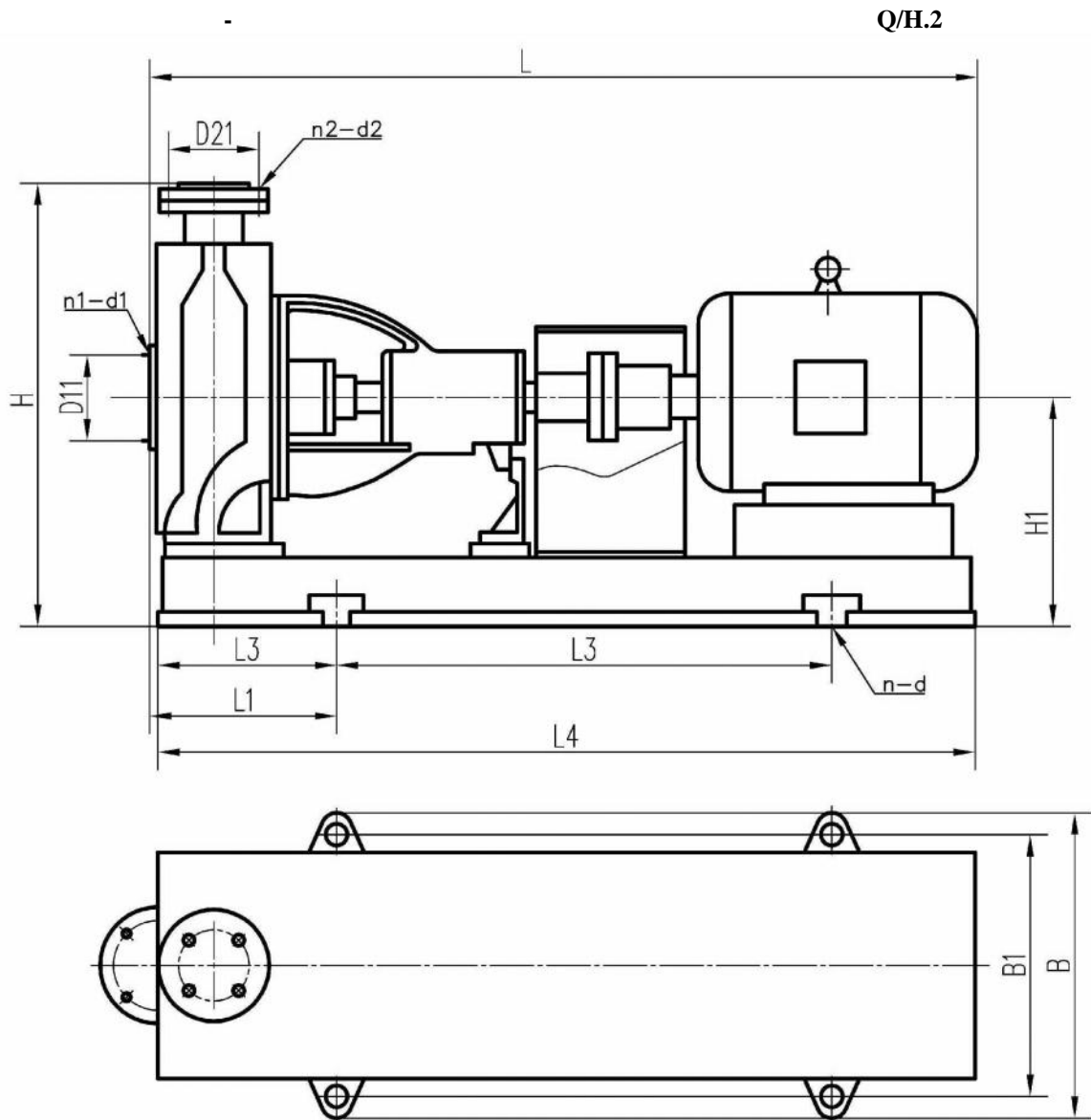
Q/H.2



Q/H

50/32.2-01.

|    |        |         |           |
|----|--------|---------|-----------|
| 1  |        | 20      | Q/H.2-01  |
| 2  |        | 50      | Q/H.2-02  |
| 3  |        | .45+ 50 | Q/H.2-03  |
| 4  |        | 20+ 50  | Q/H.2-04  |
| 5  |        | 20      | Q/H.2-05  |
| 6  |        | 20      | Q/H.2-06  |
| 7  |        | 08 18 9 | Q/H.2-07  |
| 8  | (WB-2) |         | Q/H.2-08  |
| 8  | (224a) |         | Q/H.2-08  |
| 9  |        | SiC     | Q/H.2-09  |
| 10 | (2 )   | 20      | Q/H.2-010 |
| 11 | (2 )   |         | Q/H.2-011 |
| 12 |        | 20      | Q/H.2-012 |
| 13 |        | 45      | Q/H.2-013 |
| 14 |        | 20      | Q/H.2-014 |
| 15 |        |         | Q/H.2-015 |



| n=2900 /  |             | D <sub>11</sub> | n <sub>1</sub> -d <sub>1</sub> | D <sub>21</sub> | n <sub>2</sub> -d <sub>2</sub> | L    | L <sub>1</sub> | L <sub>2</sub> | L <sub>3</sub> | L <sub>4</sub> | B   | B <sub>1</sub> | H <sub>1</sub> | H   | n - d  |     |     |     |      |
|-----------|-------------|-----------------|--------------------------------|-----------------|--------------------------------|------|----------------|----------------|----------------|----------------|-----|----------------|----------------|-----|--------|-----|-----|-----|------|
| 12,5/20.2 | 50-32-125   | 145             | 4-M16                          | 110             | 4-M16                          | 885  | 185            | 170            | 600            | 850            | 390 | 350            | 257            | 420 | 4-18,5 |     |     |     |      |
| 12,5/32.2 | 50-32-160   |                 |                                |                 |                                | 905  |                |                |                |                |     |                |                |     |        |     |     |     |      |
| 12,5/50.2 | 50-32-200   |                 |                                |                 |                                | 985  | 205            | 190            | 660            | 950            | 450 | 400            | 300            | 495 |        |     |     |     |      |
| 25/20.2   | 65-50-125   | 160             | 8-M16                          | 125             |                                | 895  | 185            | 170            | 600            | 850            | 400 | 350            | 285            | 480 |        |     |     |     |      |
| 25/32.2   | 65-50-160   |                 |                                |                 |                                | 985  | 205            | 190            | 660            | 950            | 450 | 400            | 300            | 495 |        |     |     |     |      |
| 25/50.2   | 65-40-200   |                 |                                |                 |                                | 1115 | 225            | 210            | 740            | 1070           | 490 | 440            |                |     |        |     |     |     |      |
| 50/20.2   | 80-65-125   |                 |                                |                 |                                | 985  | 205            | 190            | 660            | 950            | 450 | 400            |                |     |        |     |     |     |      |
| 50/32.2   | 80-65-160   |                 |                                |                 |                                | 210  | 8-M16          | 160            | 1115           | 225            | 210 | 740            | 1070           | 490 |        | 440 | 340 | 590 |      |
| 50/50.2   | 80-50-200   |                 |                                |                 |                                |      |                |                | 1160           |                |     |                |                |     |        |     |     |     |      |
| 100/32.2  | 100-80-160  |                 |                                |                 |                                |      |                |                | 180            | 8-M16          | 210 | 1300           | 260            | 225 |        | 840 |     |     | 1200 |
| 100/50.2  | 100-65-200  | 1430            | 285                            | 250             | 940                            |      |                |                |                |                |     | 1310           | 610            | 550 | 425    | 705 |     |     |      |
| 100/50.2  | 100-65-250  | 1470            | 300                            | 290             | 1060                           |      |                |                |                |                |     | 1590           | 1620           | 660 | 600    | 360 |     |     | 685  |
| 150/50.2  | 125-100-200 | 1655            |                                |                 |                                |      |                |                |                |                |     |                |                |     |        |     |     |     |      |
| 150/80.2  | 125-100-250 | 280             | 8-M20                          | 210             | 1670                           | 300  | 290            | 1060           | 1590           | 1620           | 660 | 600            | 360            | 685 |        |     |     |     |      |
| 250/32.2  | 150-125-160 |                 |                                |                 | 1695                           |      |                |                |                |                |     |                |                |     |        |     |     |     |      |
| 250/80.2  | 150-125-250 |                 |                                |                 | 1805                           |      |                |                |                |                |     |                |                |     |        |     |     |     |      |
| 200/32.2  | 150-125-315 |                 |                                |                 | 1805                           |      |                |                |                |                |     |                |                |     |        |     |     |     |      |